



## **30 YEAR GUARANTEE – Over Fascia Vents**

Blue Building Solutions Ltd. t/a VENT guarantees that Over Fascia Vents G1200N (1m – 10mm ventilator) and G2500N (1m – 25mm ventilator) supplied by VENT will retain their mechanical function for a period in excess of 30 years, under natural conditions, from the date of purchase. Provided the Over Fascia Vents are installed in accordance Design & Specification Guides supplied by VENT.

VENT guarantees Over Fascia Vents under the following terms & conditions:

- a. This guarantee is given to consumers as defined in and who have the rights under the Consumer Guarantees Act 1993 and should be read with the statutory consumer guarantees contained in that Act.
- b. This guarantee will apply to defects appearing within 30 years from the date of purchase & where notification of defects is received in writing within 28 Days of the defect appearing.
- c. Guarantees will only be honoured if the VENT products in question were installed, used and maintained in accordance with VENT installation guides all of which are available on [www.eboss.co.nz](http://www.eboss.co.nz) and on the VENT website [www.vent.nz](http://www.vent.nz)
- d. Guarantees will not apply to damage caused by external physical agents, accidental damage or other Force Majeure.
- e. The sole & exclusive remedy with regard to the above Guarantee is limited to the repair or supply of replacement profiles at VENTs discretion

This guarantee shall be construed and interpreted in accordance with New Zealand Law and shall be subject to the jurisdiction of New Zealand Courts only.

This Guarantee does not affect the statutory rights of consumers.

# Control of Condensation in Buildings

## Product Information Sheet

### Over Fascia Ventilator – G1200N Roof Pitches Over 15°)

#### Description

**The Over Fascia Vent is the most practical and cost efficient method of ventilating the Eaves.** The common alternative for eaves ventilation is the continuous soffit strip vents but the labour intensity of this method far outweighs the installation ease of installing the Over Fascia Ventilator.

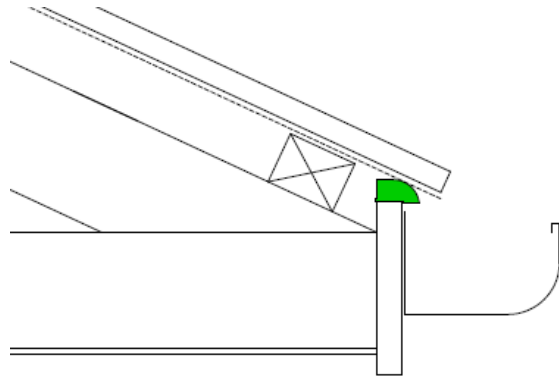
The G1200N Over Fascia Ventilator is designed to discreetly ensure a positive airflow into the roof space between the roof membrane and the fascia board, making it ideal for new build and re-roofing situations. It can also be fitted in a mono roof abutment detail.

The G1200N consists of evenly spaced opening specifically sized to prohibit large insects gaining access but wide enough not to be blocked by debris, paint or water droplets.

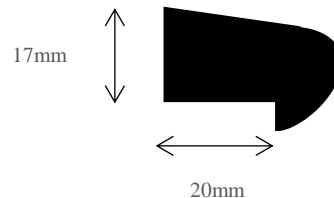


#### Fitting Instructions

The G1200N Over Fascia Ventilator should be nailed or screwed to the top of the fascia board through the fixing holes provided along the full length of the eaves as shown. This product should be used in conjunction with the Eaves Vent (EV25) to ensure continuous airflow past the insulation.



COLOURS	Black
PACKING DETAILS	20 Meters 20 x 1 Meter lengths per box
WEIGHT	2.2kg per box
MATERIAL	Polypropylene
MANUFACTURING PROCESS	Injection Moulded
FREE AIRFLOW	10,000mm²/M equivalent to a continuous gap of 10mm



Note: These diagrams are for guidance purposes only. The overall design is the responsibility of the designer as there are often other factors to consider.

# Control of Condensation in Buildings

## Product Information Sheet

### Over Fascia Ventilator – G2500N (Roof Pitch below 15°)

#### Description

**The Over Fascia Vent is the most practical and cost efficient method of ventilating the Eaves.** The common alternative for eaves ventilation is the continuous soffit strip vents but the labour intensity of this method far outweighs the installation ease of installing the Over Fascia Ventilator.

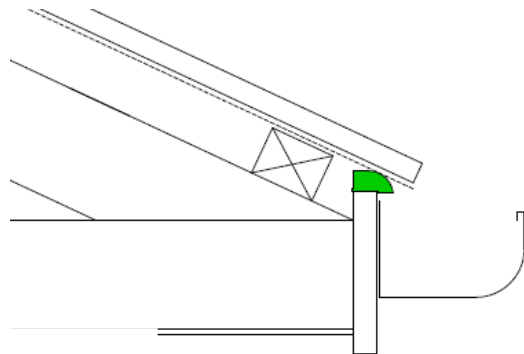
The G2500N Over Fascia Ventilator is designed to discreetly ensure a positive airflow into the roof space between the roof membrane and the fascia board, making it ideal for new build and re-roofing situations. It can also be fitted in a mono roof abutment detail.

The G2500N consists of evenly spaced opening specifically sized to prohibit large insects gaining access but wide enough not to be blocked by debris, paint or water droplets.

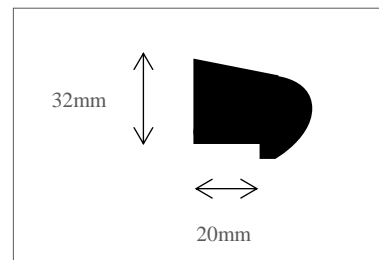


#### Fitting Instructions

The G2500N Over Fascia Ventilator should be nailed or screwed to the top of the fascia board through the fixing holes provided along the full length of the eaves as shown. This product should be used in conjunction with the Eaves Vent (EV25) to ensure continuous airflow past the insulation.



COLOURS	Black
PACKING DETAILS	20 Meters 20 x 1 Meter lengths per box
WEIGHT	3.9kg per box
MATERIAL	Polypropylene
MANUFACTURING PROCESS	Injection Moulded
FREE AIRFLOW	25,000mm <sup>2</sup> /M equivalent to a continuous gap of 25mm



Note: These diagrams are for guidance purposes only. The overall design is the responsibility of the designer as there are often other factors to consider.