

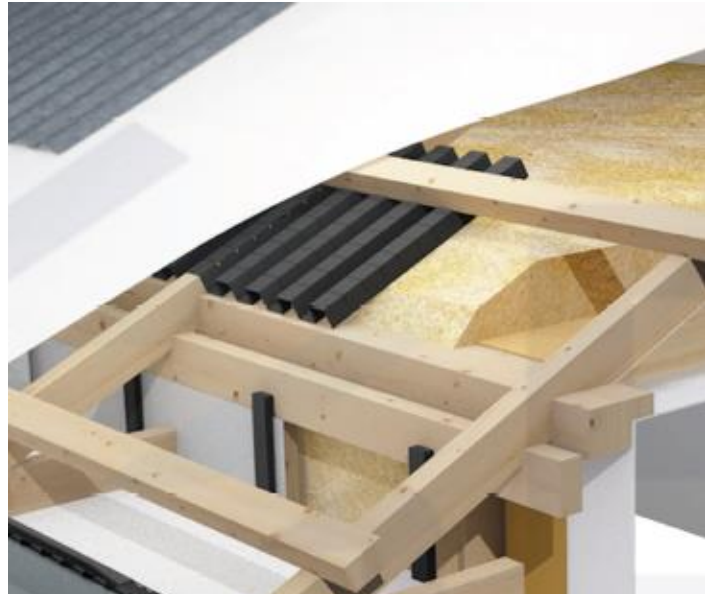
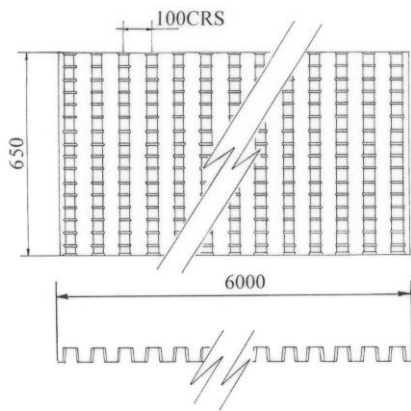
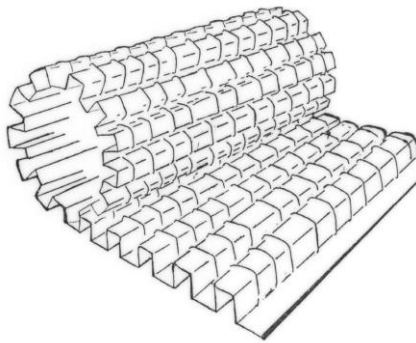
# Control of Condensation in Buildings

## Product Information Sheet

### Roll Panel Vent – G502

**Description** The G502 Roll Panel Vent is designed to maintain a continuous 25mm air gap between the underside of the roofing membrane or sarking board and loft insulation at the eaves, providing a consistent flow of air into the roof space.

The castellated profile is laid across the top of the roof trusses/rafters parallel with the eaves level and is suitable for both new build and roof renovation projects. The extra width of the panel allows for better coverage when low pitch and deep insulation details are encountered.



**Fixing** – The G502 Roll Panel Ventilator (A) should be rolled out over the full length of the eaves and adjusted to align with the required roof truss centres then nailed or stapled to secure in position as shown.

This product should be used in conjunction with other soffit/fascia vents to provide a complete roof ventilation system.

Product Specifications	
Colour	Black
Material	PET (Polyethylene terephthalate)
Part Weight	2.1 kg
Packing Details	12 metres 2 x 6 metre rolls per box
Free Airflow	25,000mm <sup>2</sup> equivalent to a continuous gap of 25mm

Note: These diagrams are for guidance purposes only. The overall design is the responsibility of the designer as there are often other factors to consider.